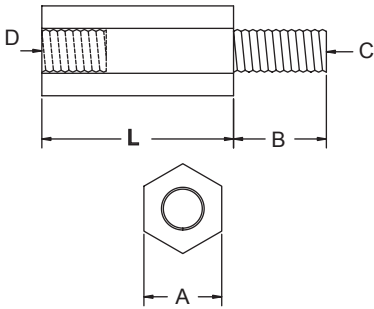
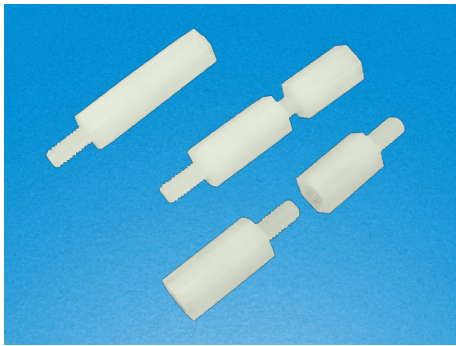


RCCN 日成HTS型六角隔离柱 Hexagonal Tapped Spacer

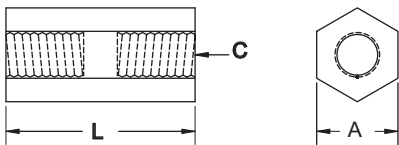
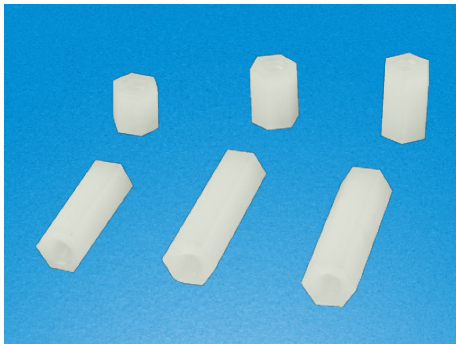


材质：UL合格之NYLON 66(本色),防火等级 94V-2,不易老化,绝缘度高。

单位/Unit:mm

型号 Item No.	A	B	C/D	L	包装 Packing
HTS-306	5.6	6	3 适用螺帽 PN-3	6	1000pcs
HTS-308	5.6	6		8	
HTS-310	5.6	6		10	
HTS-312	5.6	6		12.7	
HTS-315	5.6	6		15	
HTS-318	5.6	6		18	
HTS-320	5.6	6		20	
HTS-322	5.6	6		22	
HTS-325	5.6	6		25	
HTS-330	5.6	6		30	
HTS-410	7	6	4 适用螺帽 PN-4	10.1	1000pcs
HTS-413	7	6		13.0	
HTS-415	7	6		15.0	
HTS-419	7	6		19.0	
HTS-425	7	6		25.0	
HTS-430	7	6		30.0	

RCCN 日成HTP型六角内螺纹隔离柱 Hexagonal Tapped Spacer

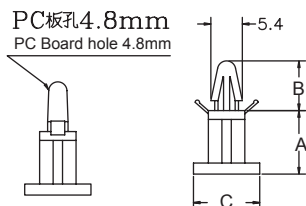
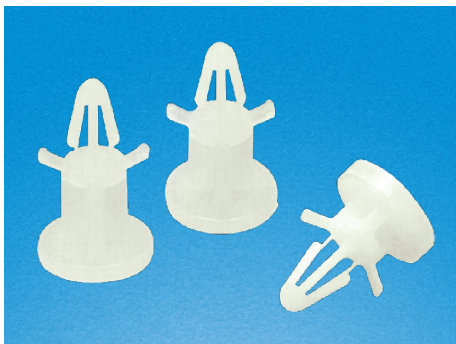


材质：UL合格之NYLON 66(本色),防火等级 94V-2,不易老化,绝缘度高
Material : UL approved NYLON66(natural).

Fireproof: 94V-2 , good insulation,good aging resistant

型号 Item No.	L	A	C	包装 Packing
HTP-306	6.0	5.5	3	1000pcs
HTP-308	8.0	5.5	3	
HTP-310	10.0	5.5	3	
HTP-312	12.7	5.5	3	
HTP-315	15.0	5.5	3	
HTP-318	18.0	5.5	3	
HTP-320	20.0	5.5	3	
HTP-322	22.0	5.5	3	
HTP-325	25.0	5.5	3	
HTP-330	30.0	5.5	3	

RCCN 日成BMS型隔离柱 Slide Secure Circuit Board Support



板厚:2.0开孔4.0
Thickness:2.0 Hole:4.0

材质：UL合格之NYLON66(本色),
防火等级: 94V-2,不易老化,绝缘度高。
BMS-5L,BMS-5L7 : 4.8mm PC板孔

Material : UL approved NYLON66(natural).

Fireproof: 94V-2 , good insulation, good aging resistant

型号 Item No.	A	B	C	包装 Packing
BMS-5	5.6	9.5	11.8	1000pcs
BMS-5L	5.6	9.5	11.8	
BMS-5L7	5.6	9.5	7.1	
BMS-8	8.0	9.5	11.8	
BMS-11	11.0	9.0	12.0	